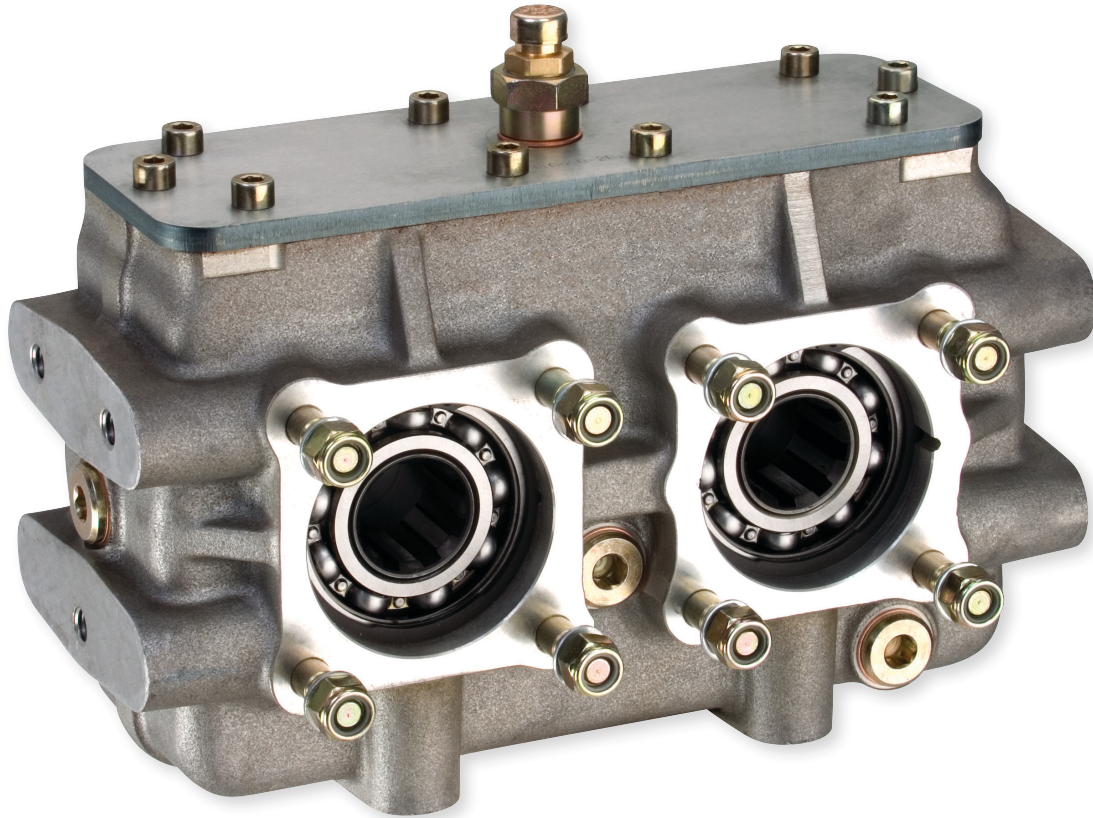




SPLITTER GEARBOX SZ 121



Splitter gearbox SZ 121 allows up to three pumps to be fitted on the same power take off.

Splitter gearbox SZ 121 provides unlimited freedom to combine pumps with different size flows.

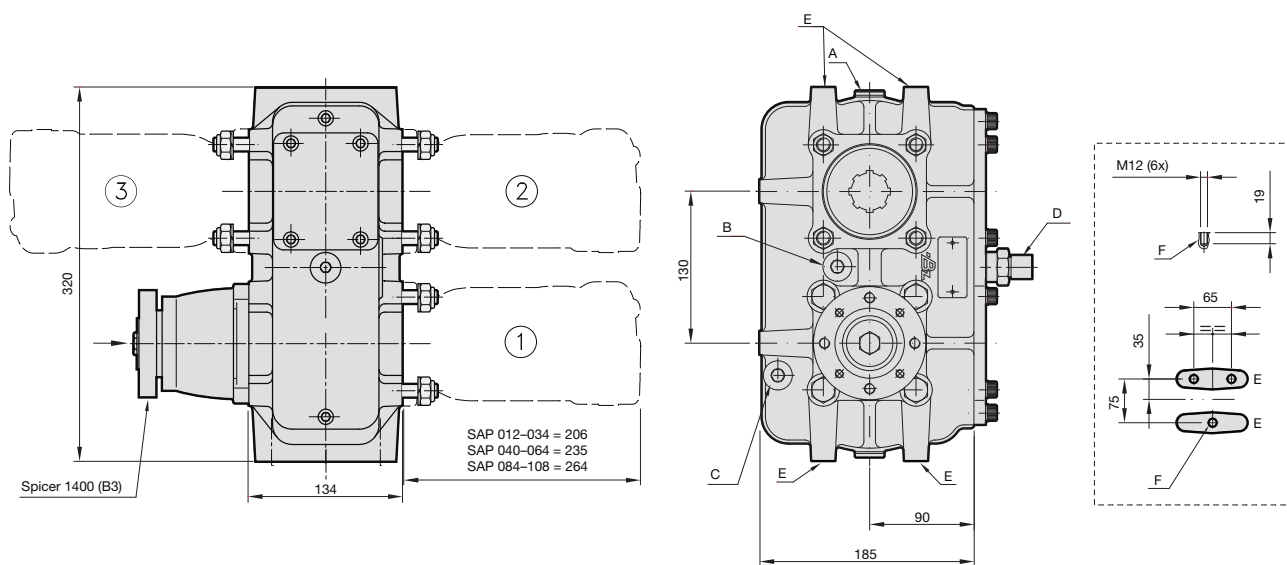
Splitter gearbox SZ 121 has a gear ratio of 1:1 on one take off and 1:1.2 on the other two take offs, which give additional combination options.

Other advantages of splitter gearbox SZ 121:

- Suitable for all Sunfab pumps with DIN flange.
- Can be mounted horizontally or vertically.

Type	SZ 121	
Max. continuous input torque	Nm	600
Max. input power at 1000 rpm	kW	63
Max continuous torque pump take off 1	Nm	600
Max continuous torque pump take off 2	Nm	350
Max continuous torque pump take off 3	Nm	350
Pump rotation 1 and 3	same input	
Pump rotation 2	opposite input	
Gear ratio pump take off 1	1:1	
Gear ratio pump take offs 2 and 3	1:1.2	
Weight	kg	20.8

Subject to design alteration



The gearbox must be filled up to the level plug with hypoid oil with intermittent operations.

Circulation lubrication is required with continuous operation to ensure cooling.

- A Oil filler, drain and level plug
- B Drain horizontal and level vertical
- C Level horizontal
- D Ventilation oil
- E Fitting holes

Sunfab reserves the right to make changes in design and dimensions without notice. Printing and typesetting errors reserved.

© Copyright 2015 Sunfab Hydraulics AB. All Rights Reserved.