



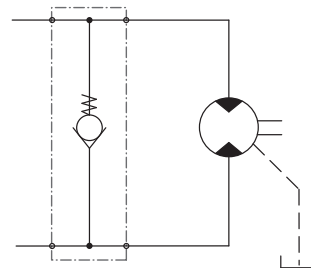
### Anti-cavitation valve for Sunfab hydraulic motor SCM

Sunfab's anti-cavitation valve is used to minimise the risk of cavitation damage in connection with insufficient inlet pressure.

This can occur, for example, in applications with a relatively large rotating mass with a long run-down time (e.g. fan operations). The hydraulic motor must have a defined direction of rotation when using Sunfab's anti-cavitation valve. The valve can be adapted to both left and right rotation.

### Function:

A check valve between the pressure and return ports opens to ensure a flow of oil to the motor if the inlet pressure to the motor becomes too low. It is therefore important to have a specific back pressure on the return line, which if necessary can be created by means of a back-pressure valve.

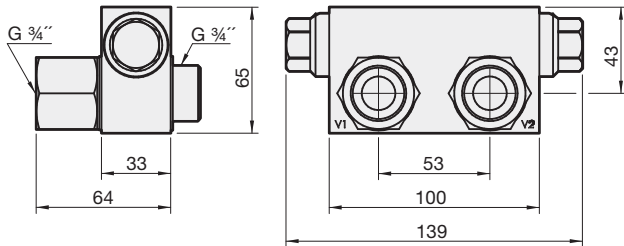


For motor SCM		012-034	040-064	084-130
Max. continuous pressure	bar	350	350	350
Max. intermittent pressure	bar	400	400	400
Weight	kg	1.7	3.9	3.4



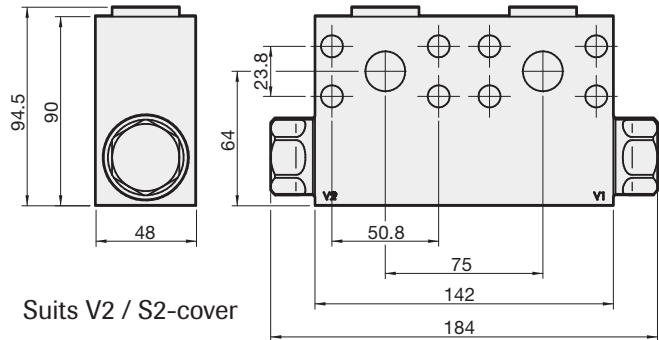
## Dimensions anti-cavitation valve

Valve for SCM 012-034  
Part No. 91024



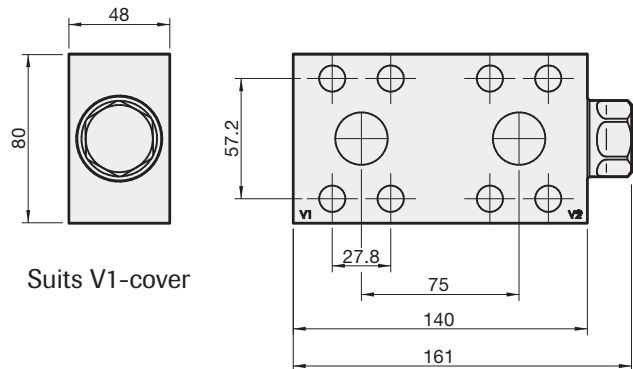
Suits K3-cover

Valve for SCM 040-064  
Part No. 91025



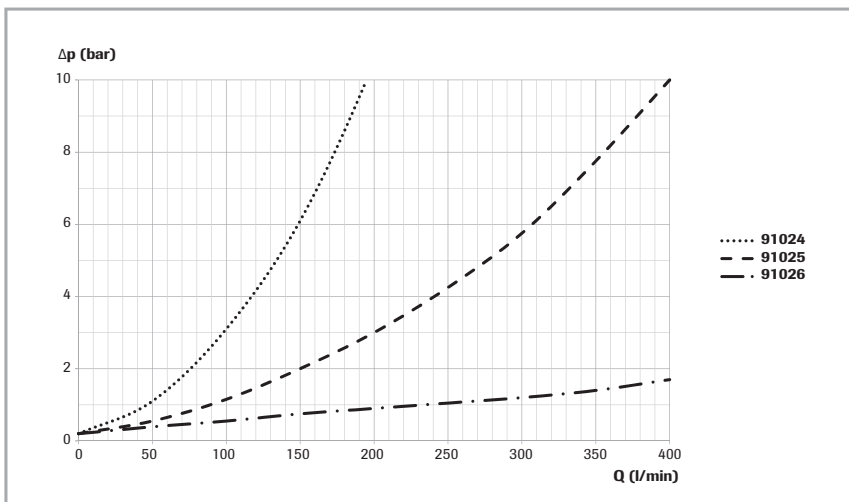
Suits V2 / S2-cover

Valve for SCM 084-130  
Part No. 91026



Suits V1-cover

Type SCM	012-034	040-064	084-130
Valve part. no.	91024	91025	91026
Bolt kit part. no.	-	50854	50855
Min-max flange height [mm]	-	16-21	21-25
Flange kit part. no.	-	50857	50858
Flange thread dim.	-	G 3/4"	G 1"



Valve opening pressure 0,3 bar.

Sunfab reserves the right to make changes in design and dimensions without notice. Printing and typesetting errors reserved.